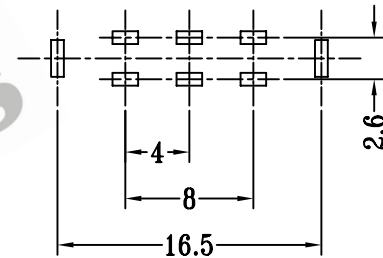
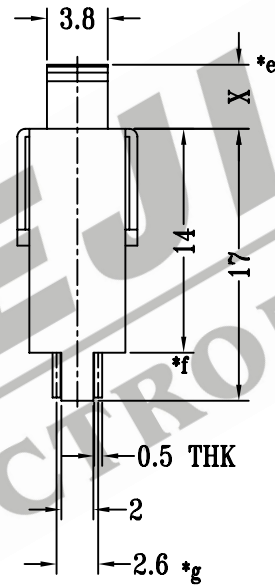
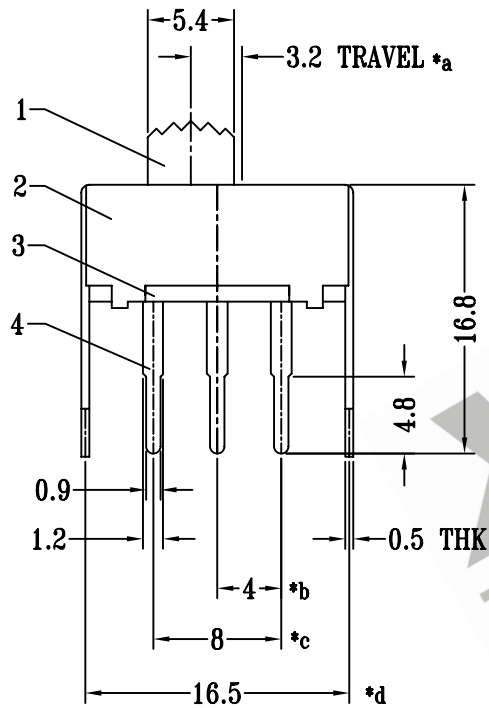
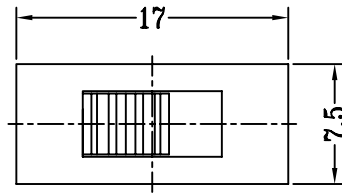


CAD FILE:



P.C.B LAYOUT

SCHEMATIC (NON-SHORTING)

注:带"*"表示关键尺寸(7个)

				TOLERANCE UNLESS SPECIFIED	SHENZHEN XIEJIA ELECTRONICS CO.,LTD.						
				WITHIN: 1.5±0.1mm	ISSUE	DATE	DESCRIPTIONS		APPD.		
				OVER : 1.5±0.2mm	TITLE : VERTICAL SLIDE SWITCH				UNIT : MM	DRWG NO.: XJ-DR-SS22F18-00	
8					MODEL: SS-22F18				SCALE: 2 : 1	DWN. ZHOUYU	2003-12-23
7					ALL MATERIALS MUST BE COMPLIANT TO ROHS				CHK'D FANGYING	2003-12-23	
6	SPRING	STEEL WIRE	2	TEMPER					APPD. KANGXINAN	2003-12-23	
5	CONTACT CLIP	BRASS STRIP	2	Ag PLATED							
4	TERMINAL	BRASS STRIP	6	Ag PLATED OVER Ni PLATED							
3	BASE	PHENOLIC RESIN	1	BLACK							
2	FRAME	STEEL STRIP	1	Ni PLATED							
1	KNOB	POM	1	BLACK							
NO.	PART NAME	MATERIAL	Q'TY	FINISHING							